

WATU

Solar Light

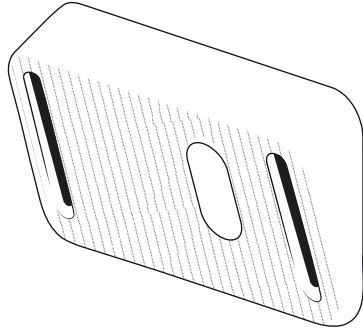
Get ready
to build your
Watu

Assembly instructions

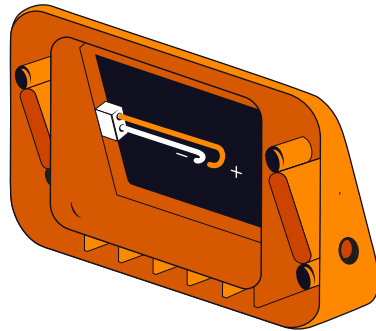
Components list

Watu solar light in 11 pieces

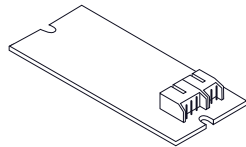
1 Front case



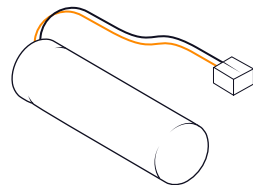
2 Back case



3 PCB



4 Battery



5a Button sticker



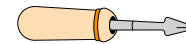
5b 4 screws



5c 2 small screws



5d PH1 key



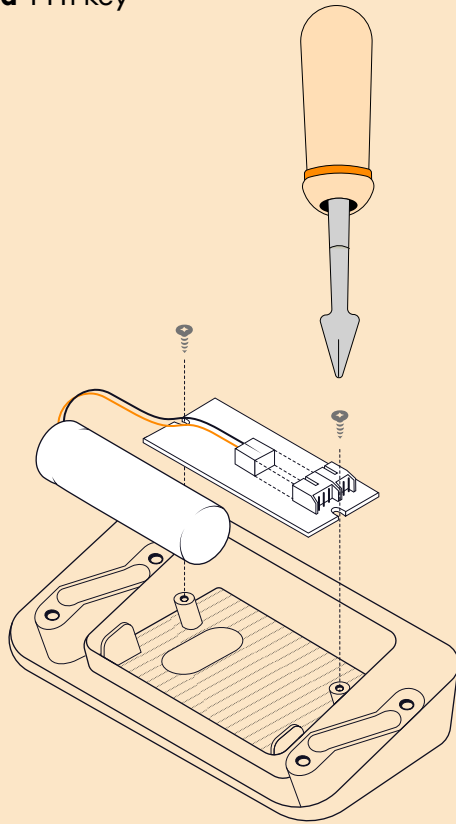
6 Stand (not illustrated)

7 Headband (not illustrated)

Step 1

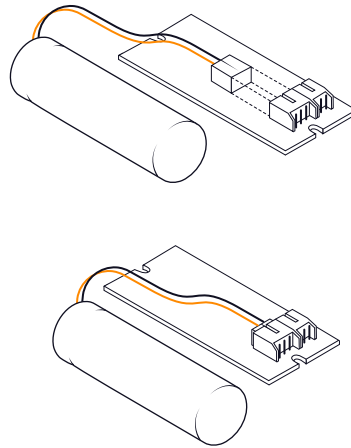
Connect the battery to the PCB electronics

- 1 Front case
- 3 PCB
- 4 Battery
- 5c 2 small screws
- 5d PH1 key



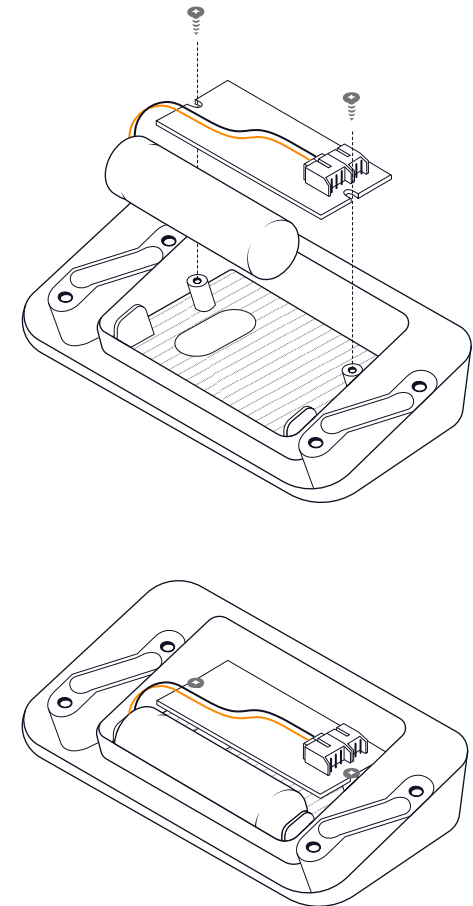
1a Connect the battery to the PCB

HINT Make sure you connect to the bigger connector!



1b Screw in the PCB

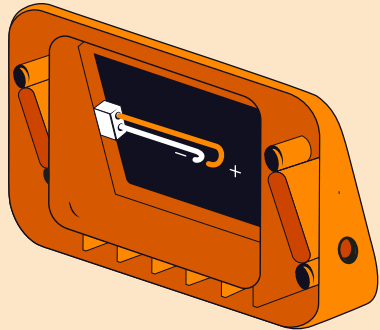
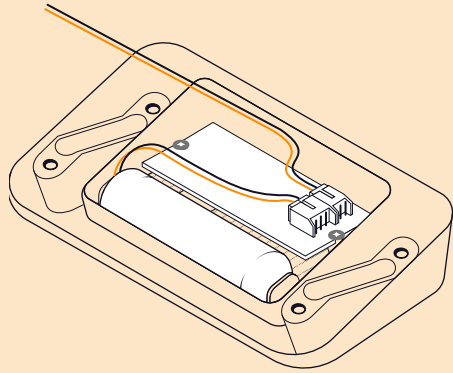
HINT Use the PH1 screwdriver



Step 2

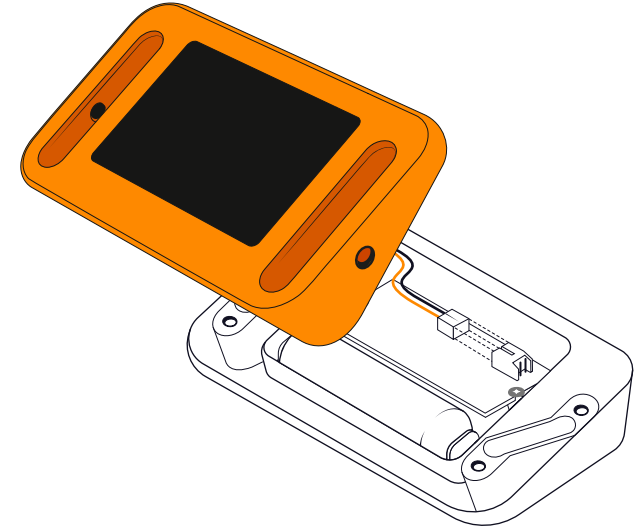
Connect the back case wire to the PCB

2 Back Case



2b Connect the PV module to the PCB

HINT Make sure you connect to the smaller connector!



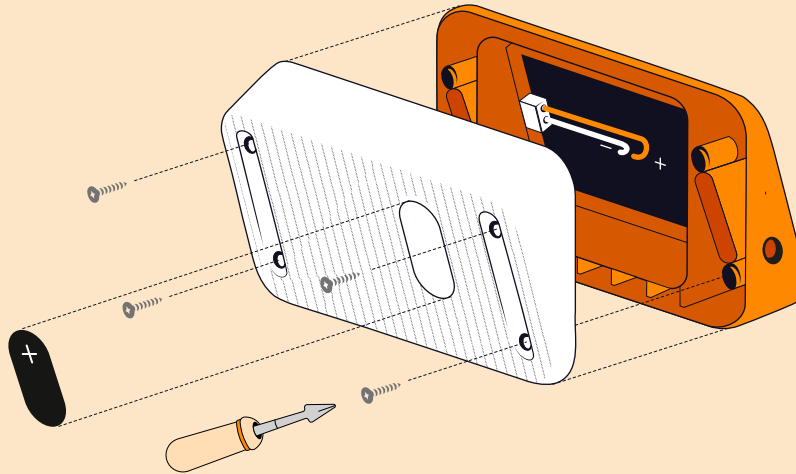
Step 3

Close the case with the screws

5b 4 screws

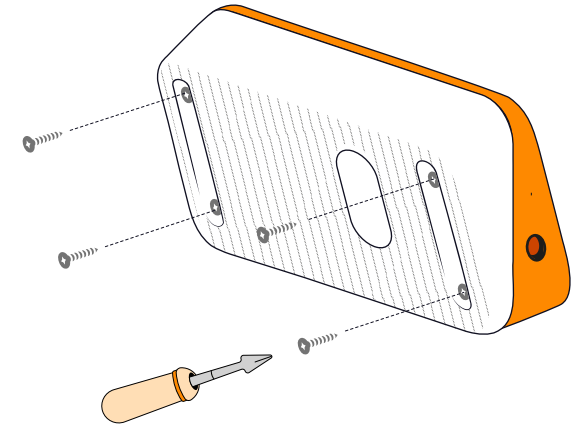
5a Button sticker

5d PH1 key

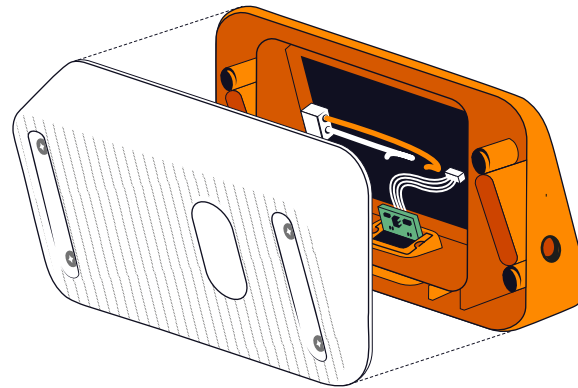


3b Close the case with the screws

HINT Use the PH1 key to tighten the screws!



3a Close the cases.



3c Apply the sticker to the front

HINT Make sure you stick it down really tight!

